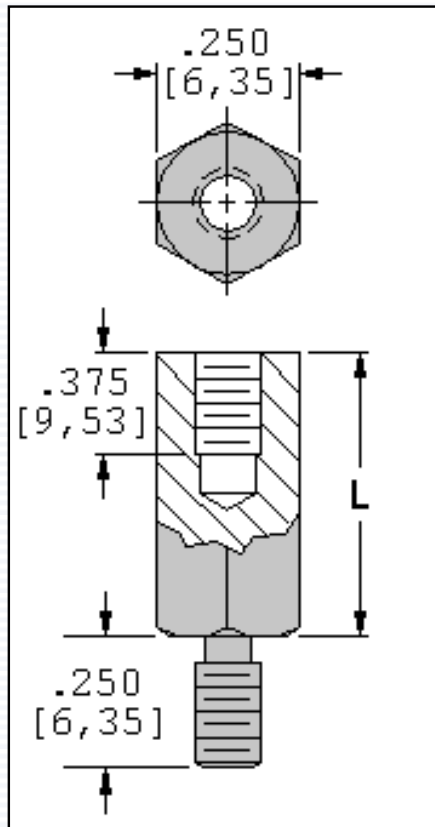


[PRODUCTS](#)
[CUSTOM CAPABILITIES](#)
[PART BUILDER](#)
[GLOBAL DISTRIBUTION](#)
[ORDER ONLINE](#)

.250 [6,35] Hex Male/Female Standoffs

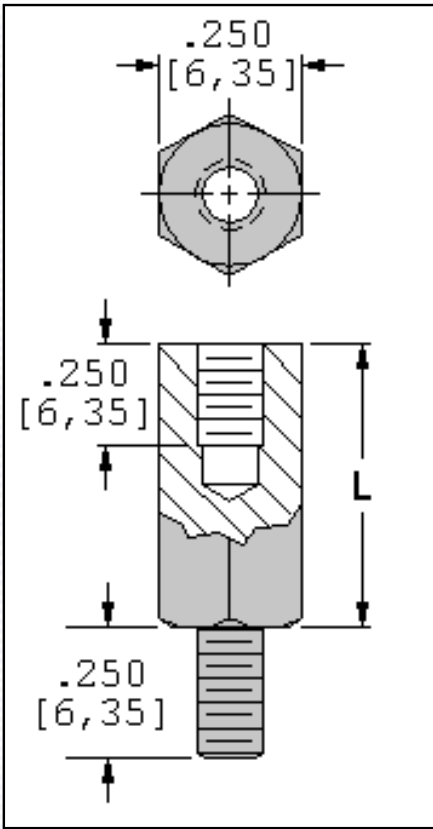
6-32 Threads - Stainless • Brass • Aluminum



6-32 Threaded Standoffs			
Length "L"	Stainless Steel	Brass Nickel Plate	Aluminum Clear Iridite
Inches [mm]	Cat. No.	Cat. No.	Cat. No.
† .250 [6,35]	8715	8716	8717
†† .375 [9,53]	2119	7210	8413
.500 [12,70]	2120	1952	8414
.625 [15,87]	2121	1953	8415
.750 [19,05]	2122	1954	8416
.875 [22,23]	2123	7211	8417
1.000 [25,40]	2124	1644	8418
1.125 [28,58]	2125	7212	8419
1.250 [31,75]	2126	1955	8420
1.375 [34,93]	2127	1956	8421
1.500 [38,10]	2128	1645	8422
1.625 [41,28]	2129	7214	8423
1.750 [44,45]	2130	7215	8424
2.000 [50,80]	2131	1646	8425
† .140 [3,56] Internal Thread Depth		†† .250 [6,35] Internal Thread Depth	

[Click to Request Samples](#)
[VIEW PRODUCT OVERVIEW](#)

6-32 Threads - Nylon



6-32 Threaded Standoffs	
Nylon	Length "L"
Cat. No.	Inches [mm]
4814	† .250 [6,35]
4815	.375 [9,53]
4816	.500 [12,70]
4817	.625 [15,87]
4818	.750 [19,05]
4819	.875 [22,23]
4820	1.000 [25,40]
4821	1.125 [28,58]
4822	1.250 [31,75]
4823	1.375 [34,93]
4824	1.500 [38,10]
4825	1.625 [41,28]
4826	1.750 [44,45]
4827	2.000 [50,80]
† .140 [3,56] Internal Thread Depth	

[Click to Request Samples](#)

[VIEW PRODUCT OVERVIEW](#)